



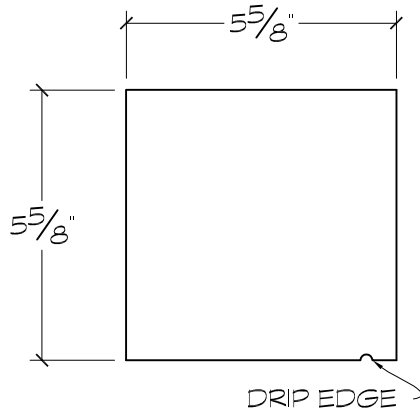
Harvey Cement Products, Inc.

Since 1947

16030 Park Avenue, Harvey, IL 60426

Ph: 708.333.1900 F: 708.333.1910

www.harveycement.com



CROSS SECTION

1 **PROFILE EJ**  
 ARCH REF:  
 SCALE: 3"=1'-0"

Profile ID

**EJ**

**SUGGESTED USE**

|                 |   |
|-----------------|---|
| Sill            |   |
| Transition Band |   |
| Coping          |   |
| Cap             |   |
| Band            | X |
| Cornice         |   |
|                 |   |
|                 |   |

**TYPE / SIZE AVAILABILITY**

| TYPE     | LENGTH(S) |
|----------|-----------|
| Straight | 23 5/8"   |
|          |           |
|          |           |
|          |           |

DRIP EDGE - OPTIONAL